



**TIRE PRESSURE SYSTEMS**

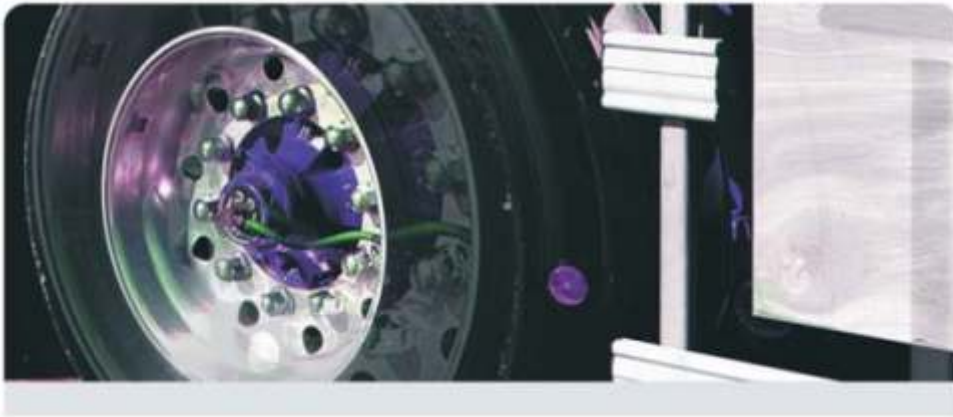
**NM249 – NM248  
INTERNAL SYSTEMS FOR TRAILERS**

# **PARTS CATALOGUE**

**VERSION 1-2019**

**ORDER ON-LINE**

**[www.vigia.ca](http://www.vigia.ca) / 1-888 438-8444**



## VIGIA INTERNAL SYSTEMS

### EXCLUSIVE FOR TRAILERS

#### VIGIA NM 249

- Self-contained and designed to operate independently on any trailer configuration or make.
- VIGIA can be installed to steering trailer axles and lift-steering axles.
- Driver is informed at all times about the status of tires and system via LEDs mounted in the trailer.
- Air to the tires is supplied through conduits inside the axle so no lines are externally visible.
- Exclusive and durable VIGIA rotors are placed outside the hubcap preventing water and other contaminants from entering the hub.

#### VIGIA NM 250

- Incorporates a pressure booster for situations where tire pressures must be higher than the vehicle's air tank pressure.

#### VIGIA NM 248

- Model NM248 is a dedicated system for trailers and requires a tractor equipped with VIGIA System.



## VIGIA EXTERNAL SYSTEMS

### FOR TRUCKS-TRAILERS-BUSES

#### VIGIA NM 253

- External system with opto-electronic sensors.
- Drive and steering tires independently monitored.
- Analog cab-mounted control panel.
- Optional communication to remote location via telematics systems.

#### VIGIA NM 343

- External system with opto-electronic sensors.
- Drive and steering tires independently monitored.
- Digital cab-mounted control panel.
- Communication to remote location via telematics systems.

#### VIGIA NM 244

- External system exclusive for trailers.
- Self-contained and designed to operate independently on any trailer configuration or make.
- Driver is informed at all times about the status of tires and system via LEDs mounted in the trailer.





## IMPORTANT

Installation, disassembly, repairs and maintenance of the VIGIA Tire Pressure Systems must be performed only by a certified mechanic with specific knowledge in the installation of VIGIA Systems. Certified mechanic must use proper protective equipment when installing, repairing and maintaining the VIGIA systems.

Trailer axles must be prepared for the VIGIA Tire Pressure System by axle manufacturer according to the specific procedures provided by VIGIA.

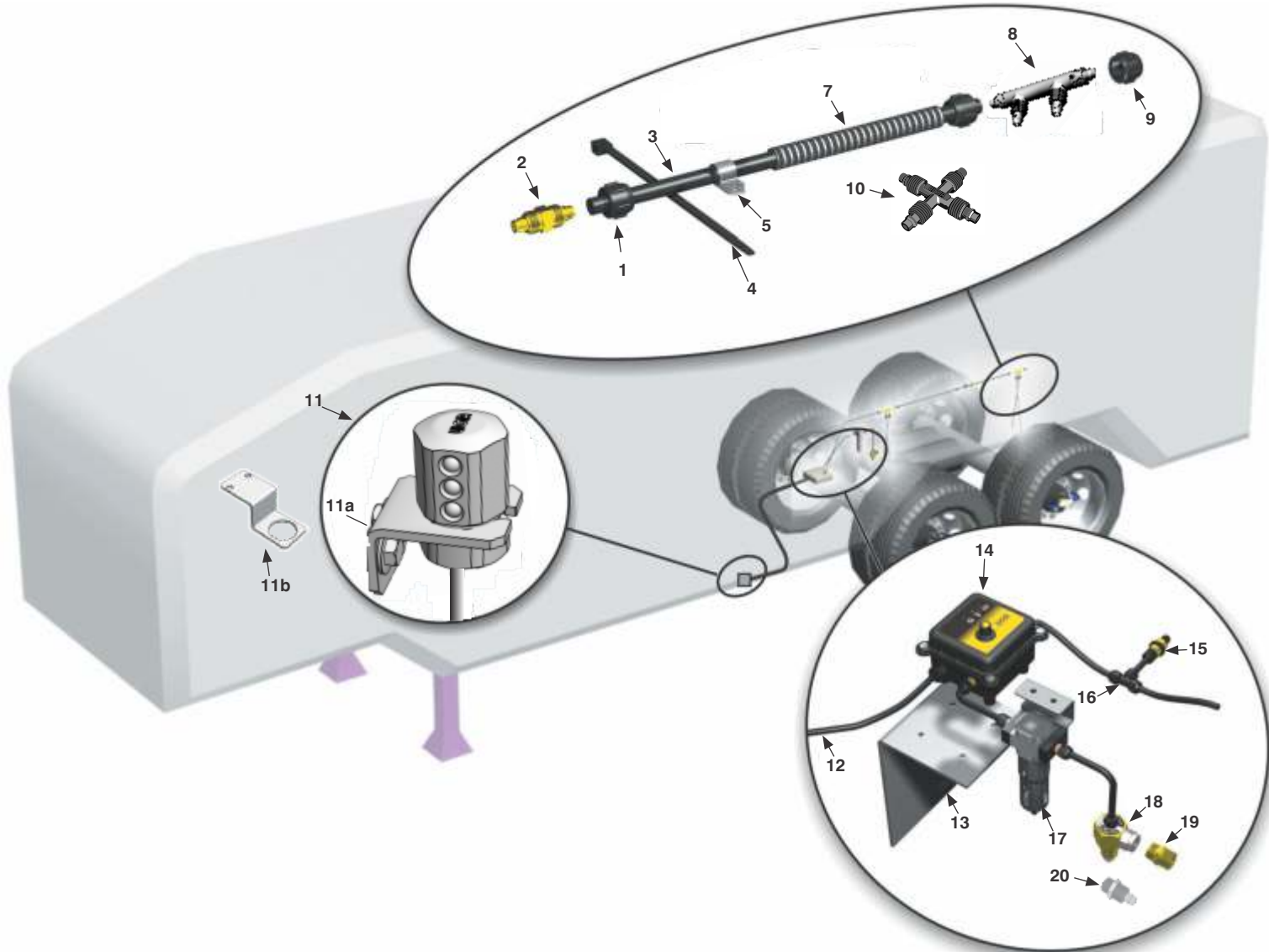
Improper installation or use of unauthorized parts can cause malfunctions, loss of tire pressure and other consequences which may result in serious injury or death.

Manufacturer or Distributor will not be responsible for injuries resulting from misuse of equipment, use contrary to operating instructions or installation by any person other than an Authorized Installer.

VIGIA is a ISO 9002 certified product



# NM249 - STAND ALONE INTERNAL SYSTEM

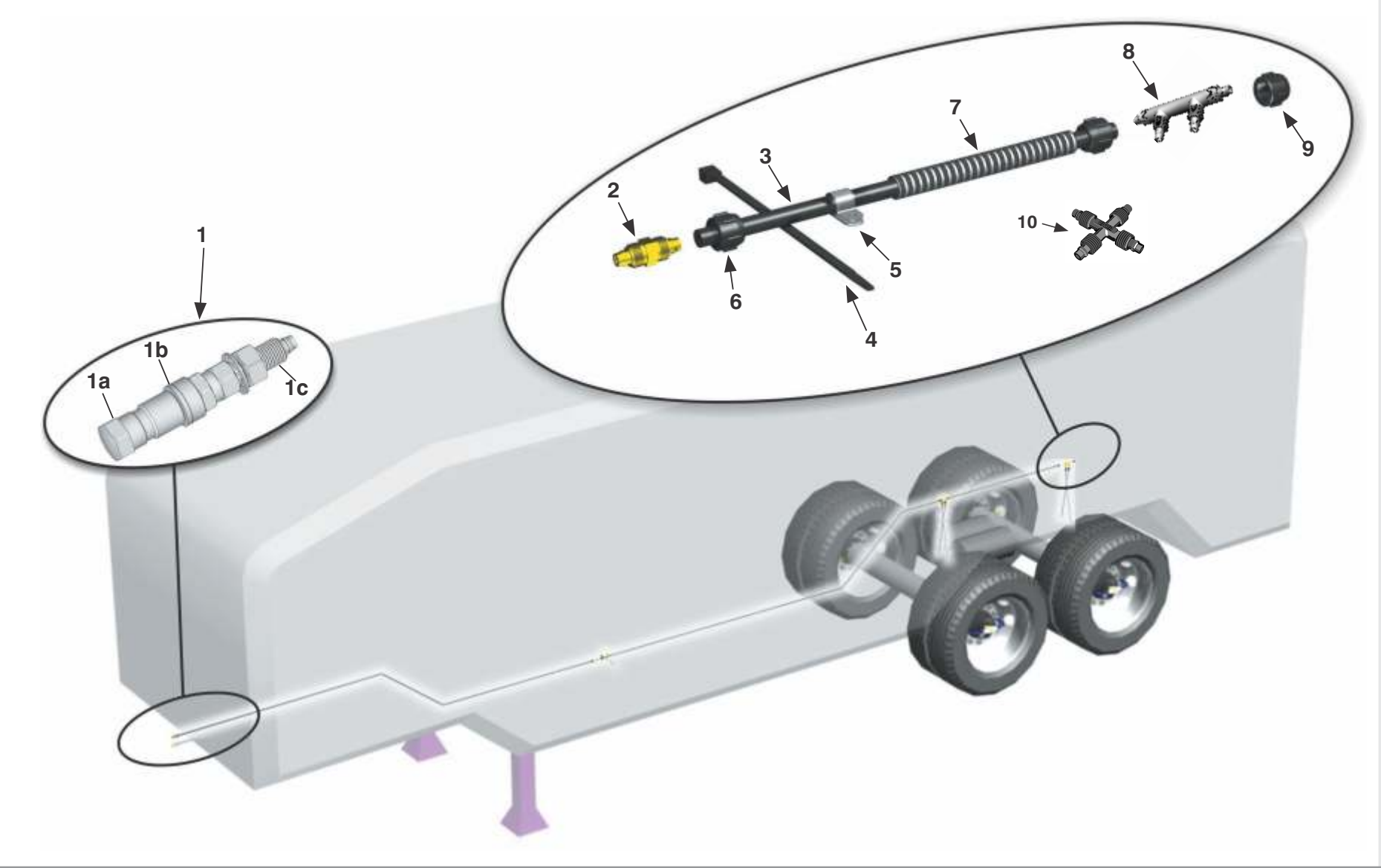


## NM249 - STAND ALONE INTERNAL SYSTEM

CODE	Description
1 X1414.A016-1	5/16" hose fastening nut
2 X1414.A033-1	Straight joint 5/16" - plastic
3 X9201.A038-5	Hose VIGIA HY Ø 5/16"
4 X9303.A010-6	Plastic tie 223 mm
5 X9302.A005-6	Plastic clip Ø 5/16"
7 X2442.A069-3	Spiral loom FH2 ½"
8 X2442.A276-8	Four output joint 5/16" plastic
9 X1412.A023-0	Plug NF 7/16"
10 X1414.A034-3	Cross Joint 5/16" plastic
11 X2490.A083-0	LED housing - 12 V
11a X2490.A034-0	Support "L" for LED housing
11b X2490.A037-3	Support "S" for LED housing
12 E2690.A001-8	Wires for electrical connection - NM 269
13 X2490.A012-0	Support for control module NM269
14 X2490.A068-1	Control module NM269 - 12 V
15 X1411.A037-1	Shredded valve NM145 5/16"

CODE	Description
16 X1414.A020-5	T joint 5/16" plastic
17 X2490.A007-7	Air filter kit - Festo
18 X2431.A045-0	Protection valve
19 X2431.A047-4	Protection valve adapter to NPT 1/8
X2431.A050-6	Protection valve adapter to NPT ½
X2431.A051-8	Protection valve adapter to NPT 3/8
X2431.A106-7	Protection valve adapter to NPT 1/4
X2431.A107-9	Protection valve adapter to NPT 3/4
20 X1414.A018-5	Connector NPT 1/8" x 5/16"

# NM248 - DEDICATED INTERNAL SYSTEM



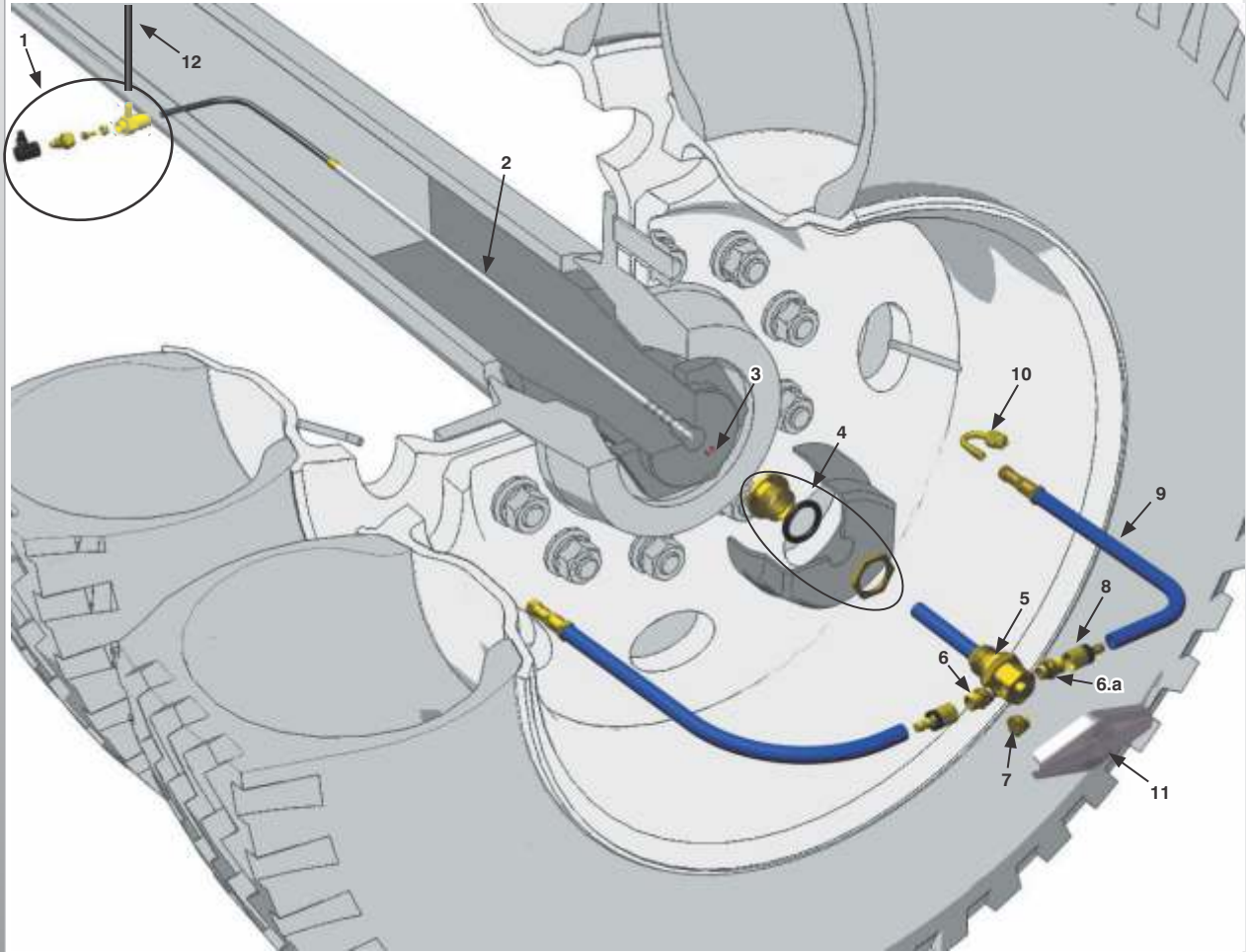
## NM248 - DEDICATED INTERNAL SYSTEM

CODE	Description
2 X1414.A033-1	Straight joint 5/16" - plastic
3 X9201.A038-5	Hose VIGIA HY Ø 5/16"
4 X9303.A010-6	Plastic tie 223 mm
5 X9302.A005-6	Plastic clip Ø 5/16"
6 X1414.A016-1	5/16" hose fastening nut
7 X2442.A069-3	Spiral loom FH2 ½"
8 X2442.A276-8	Four output joint 5/16" plastic
9 X1412.A023-0	Plug NF 7/16"
10 X1414.A034-3	Cross Joint 5/16" plastic

CODE	Description
1 X2433.A065-7	Fixed quick-connect valve set 5/16".
1a X2433.A117-0	Cap for fixed connection valve 5/16".
1b X2433.A119-4	Nipple for fixed connection valve 5/16"
1c X2433.A070-0	Fixed quick connection valve 5/16".

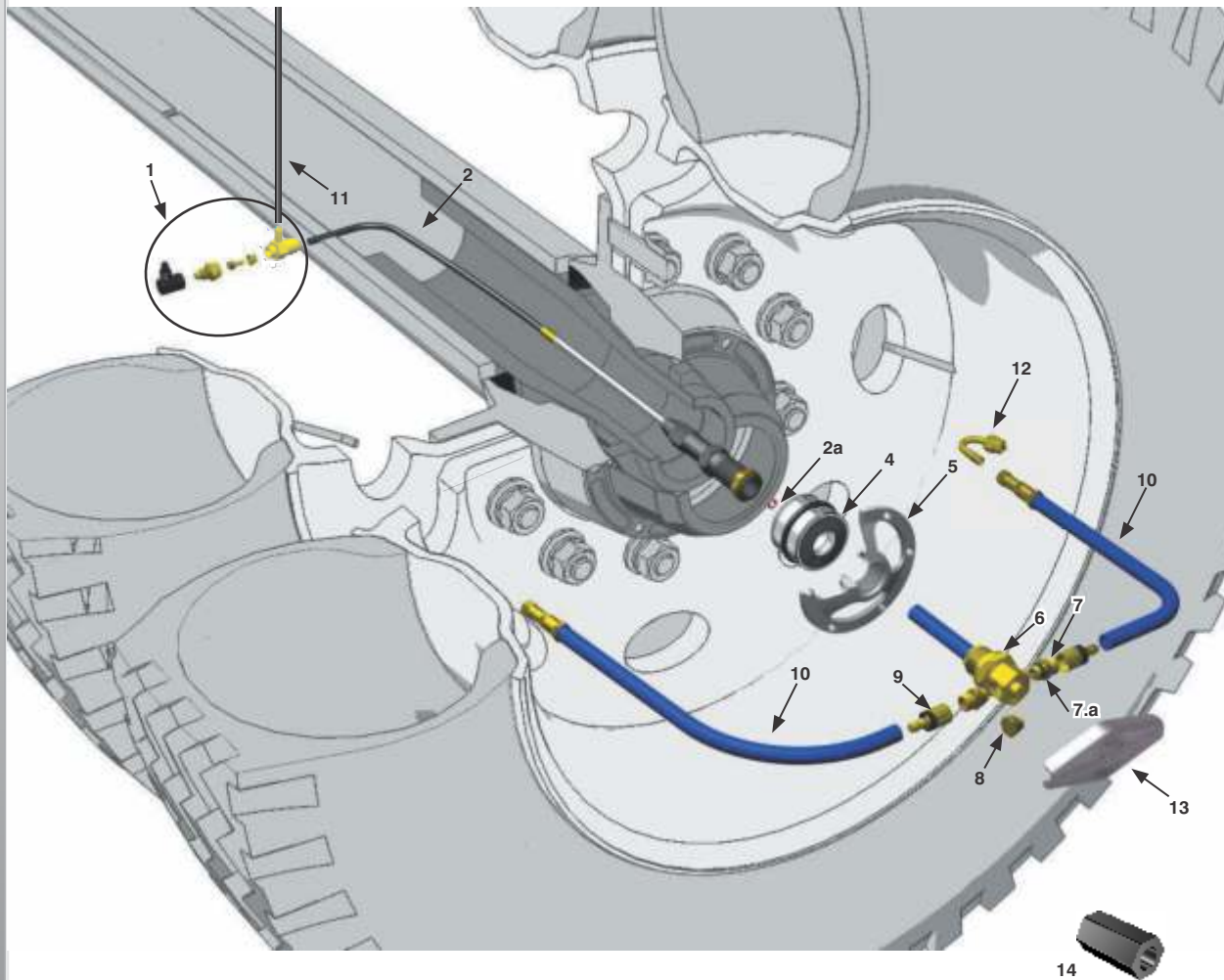
## NM249 - NM248 SOLID AXLE - GREASE HUB

CODE	Description
1 X2442.A194-6	Back-axle connection set
2 X2442.A219-9	Solid axle rod 60cm - Vented
X2442.A145-6	Solid axle rod 60cm - Vented - exposed
X2442.A305-2	Solid axle rod 30cm - Vented
X2442.A134-1	Solid axle rod 60cm
3 X9601.A006-2	O-ring for rod 2-008 V 3206 75A
4 X2442.A158-2	Rotor housing for blind cap M 29 L.20
5 X2442.A203-7	Rotor NM249 - no venting
6 X2442.A019-1	Nipple for rotor M11 x 1/2
6a X9601.A016-5	O ring 2-012 N333 70A
7 X4434.A027-0	Plug for rotor - M11 x 1/2
8 X2433.A104-4	End hose connector to rotor
9 X2442.A123-9	Hose and tire valve 30cm
X2442.A122-7	Hose and tire valve 50cm
10 X2442.A176-4	Outside tire connector "L"
X2442.A177-6	Outside tire connector "U"
11 X2442.A299-7	Rotor NM249 cover dual tires - chrome
X2442.A297-3	Rotor NM249 cover single tire - chrome
X2442.A303-1	Rotor NM249 bolt for cover - chrome
12 X9201.A041-7	Venting tube "J" 5/16"





## NM249 - NM248 HOLLOW AXLE - OIL HUB



CODE	Description
1 X2442.A194-6	Back-axle connection set
2 X2442.A195-8	Hollow axle rod - 60cm - Vented
X2442.A238-0	Hollow axle rod - 37cm
X2442.A349-9	Hollow axle rod - 25cm
2a X9601.A006-2	O-ring for rod 2-008 V 3206 75A
4 X2442.A196-0	Spindle assembly 64-71mm - Vented
X2442.A197-2	Spindle assembly 57-64mm - Vented
X2442.A198-1	Spindle assembly 50-57mm - Vented
X2442.A380-3	Spindle assembly 46-54mm - Vented
X2442.A199-3	Spindle assembly 43-50mm - Vented
X2442.A200-1	Spindle assembly 36-43mm - Vented
X2442.A202-5	Spindle assembly 30-36mm - Vented
5 X2442.A157-0	Rotor housing Stemco cap- Star M24
6 X2442.A203-7	Rotor NM249 - no venting
7 X2442.A019-1	Nipple for rotor M11 x 1/2
7a X9601.A016-5	O ring 2-012 N333 70A
8 X4434.A027-0	Plug for rotor - M11 x 1/2
9 X2433.A104-4	End hose connector to rotor
10 X2442.A123-9	Hose and tire valve 30cm
X2442.A122-7	Hose and tire valve 50cm
11 X9201.A041-7	Venting tube "J" 5/16"
12 X2442.A176-4	Outside tire connector "L"
X2442.A177-6	Outside tire connector "U"
13 X2442.A299-7	Rotor NM249 cover dual tires - chrome
X2442.A297-3	Rotor NM249 cover single tire - chrome
X2442.A303-1	Rotor NM249 bolt for cover - chrome
14 X2442.A217-5	Shield for connection-rod nipple

## TOOLS



CODE	Description
1 X1418.A187-4	Tire pressure gauge
2 X1418.A231-7	Hexagonal wrench 1".
3 X1418.A150-7	Lasso tool.
4 X1418.A234-0	End spindle assembly tool.
5 X1418.A211-1	Union 4mm - 1/4".
6 X9201.A030-2	Hose Ø 4 mm.
7 X1418.A200-9	Tool for rotor housing - blind hub cap.
8 X1418.A222-6	O-ring mounting tool.
9 X1418.A215-9	Hammering tool for solid axle connection rods.
10 X2442.A160-2	Back-axle connection set mounting nut.
11 X1122.A003-1	Male NPT 1/8" x 27.
12 X1418.A006-0	Short valve tool.
13 X1418.A004-9	Long valve core remover.
14 X1418.A005-1	Long valve stem threader tool.
15 X1418.A199-1	Solid Axle Removal Tool.
16 X2490.A011-1	Template for Control Module Nm249
X9911.A006-1	VIGIA T shirt L.
X9911.A084-5	VIGIA Jacket M.
X9911.A085-7	VIGIA Jacket L.





**PARTS CATALOGUE VIGIA NM249 - NM248**

**1-2019**



P.O.Box 1352 – 1500 Avenue Road  
Toronto, Ontario M5M 0A1  
CANADA

**COLVEN**

Ruta 11 Km.814 - Guadalupe Norte  
Prov. de Santa Fe (S3574XAB)  
ARGENTINA

**ORDER ON-LINE**

**[www.vigia.ca](http://www.vigia.ca) / 1-888 438-8444**